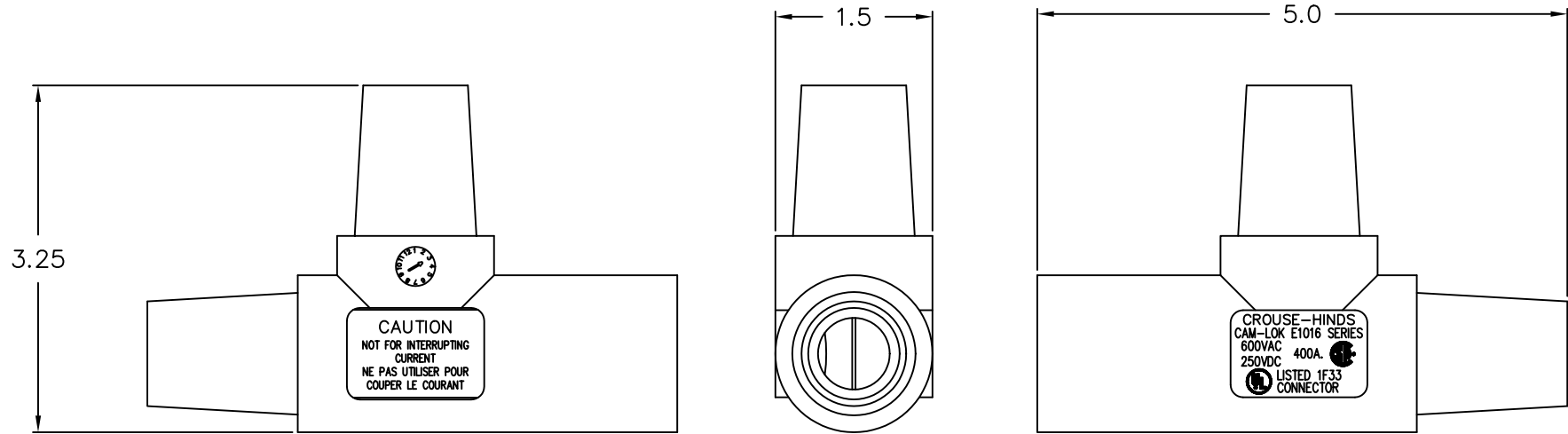


HC-9101E

E1016-

	BLK	YEL	RED	ORN	GRN	WHT	BLU	BRN
	-2312	-2313	-2314	-2315	-2316	-2317	-2350	-2395

ELECTRICAL RATING: 600V - 400A



CUSTOMER DRAWING
FOR REFERENCE ONLY

TOLERANCES UNLESS OTHERWISE SPECIFIED
DECIMAL: .X ±.03 .XX ±.015. XXX ±.005
ANGLES ± $\frac{1}{2}^\circ$ FRACTIONS ±1/64"

CABLE LENGTH TOLERANCE:	
0 TO LESS THAN 6"	±1/2 IN.
6 IN. TO LESS THAN 3 FT.	±1 IN.
3 FT. TO LESS THAN 6 FT.	±3 IN.
6 FT. TO LESS THAN 10 FT.	±6 IN.
10 FT. TO LESS THAN 30 FT.	±8 IN.
30 FT. LESS THAN TO 100 FT.	±12 IN.
100 FT. AND OVER	±36 IN.



4758 Washington Street
LaGrange, NC 28551

THIS DOCUMENT CONTAINS CONFIDENTIAL AND TRADE SECRET INFORMATION WHICH IS THE PROPERTY OF COOPER INTERCONNECT, A DIVISION OF COOPER INDUSTRIES, INC. AND RECEIPT OR POSSESSION DOES NOT CONVEY ANY RIGHTS TO LOAN, SELL, OR OTHERWISE DISCLOSE SAID INFORMATION. REPRODUCTION OR USE OF SAID INFORMATION FOR ANY PURPOSE OTHER THAN THAT IN CONNECTION WITH WHICH SAID INFORMATION WAS SUPPLIED MAY NOT BE MADE WITHOUT EXPRESS WRITTEN PERMISSION OF COOPER INTERCONNECT. THIS DOCUMENT IS TO BE RETURNED TO COOPER INDUSTRIES, INC. UPON REQUEST AND IN ALL EVENTS UPON COMPLETION OF THE PURPOSE FOR WHICH IT IS LOANED.

TITLE: TEE, MALE-FEMALE-FEMALE
CONTACT ASSY, 1" STOCK DIA

SIMILAR TO/REPLACES
DRAWING SIZE A

DR. B. LEARY
8/30/2010
CK.

SCALE NONE
DWG. NO.

ACAD DIR= JSER

ACAD FILE= E1016-CH

E1016-CH

SHT
OF